

THE FOLLOWING UPDATES HAVE BEEN MADE TO THIS DOCUMENT:

Date	Description of Change
01/11/10	Updated to new parts pricing format.
03/24/10	Spec format update.
07/22/10	Snowblower pricing, specs and part number update.
03/01/11	Updated Trencher part number format.
04/13/11	Updated 3FM84 Finish Mower part number
07/01/11	Updated 72" Box Blade part number, specs and price.
11/30/11	Soil Cultivator was removed and it is no longer available.
12/08/11	60" Angle Blade part number change
01/11/12	Removed 3TIL60 and 3TIL74 3-Point Tillers. Added 3TLR60 and 3TLR72 3-Point Tillers.
04/20/12	Removed 3TIL48 3-Point Tiller. Added 3TLR48 3-Point Tiller.
12/12/12	Rebar Bender added.
10/22/14	Removed multiple implements and attachments: 3-point snowblowers, disk harrow, 3-point tillers, 3-point rotary cutters, 3-point tine rakes, 3-point angle blades, 3-point auger, 3-point mowers, and 3-point box blades
01/01/15	Effective Thursday, January 1 st , 2015 Bobcat Company has adjusted the SLP of select options and power units.
01/08/15	Discontinued the bundles of 8 pallet fork frames and pairs of teeth. Replaced with the bundles of 10 pallet fork frames and pairs of teeth.
5/15/15	Removed 72" basic landplane – no longer available to order
6/5/15	Added RC72 and RC72HF Brushcat Rotary Cutter models
7/1/15	Effective Wednesday, July 1 st , 2015 Bobcat Company has adjusted the SLP of select attachment options.
2/26/16	Added Auger shaft diameters.
3/18/16	Removed 80" Sprayer PN 7138280.
7/1/16	Effective Friday, July 1 st 2016, Bobcat Company has adjusted the SLP of select attachment options.
8/17/16	Updated Snowblower and hydraulic motor approvals.
2/16/17	Removed Rebar Bender PN 7219937
4/20/17	Added Max Clamping Force Spec to Combo Buckets
7/10/17	Effective Monday, July 10 st 2017, Bobcat Company has adjusted the SLP of select attachment options.
01/01/18	Effective Thursday, January 1 st , 2018 Bobcat Company has adjusted the SLP of select options and power units.
01/01/19	Effective Tuesday, January 1 st 2019, Bobcat Company has adjusted the SLP of select attachment options.
4/24/2019	Updated Buckets to new Buckets
11/15/2019	Updated 68" & 84" Angle Broom P/N to 7337703 & 7337715

12/20/19	Edited Footer to display 2020 Price Book
05/04/20	Added 72" Snow Pusher Pro
6/24/20	Effective Wednesday, July 1 st 2020, Bobcat Company has adjusted the SLP of select attachment options.
7/6/20	Updated pricing on chain configurations for LT213 Trencher.

****Specification(s) are based on engineering calculations and are not actual measurements. Specification(s) are provided for comparison purposes only and are subject to change without notice. Specification(s) for your individual Bobcat equipment will vary based on normal variations in design, manufacturing, operating conditions, and other factors.***

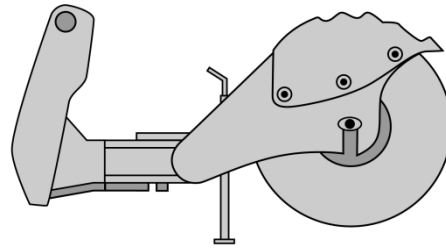
Attachment Control Kit must be installed on Work Machine to operate the following attachments:

- Angle Broom
- Chipper
- Dozer Blade
- Grader
- Snow V-Blade
- Snowblower
- Soil Conditioner, Hydraulic
- Stump Grinder

PART NUMBER	DESCRIPTION	ATTACHMENT
-------------	-------------	------------

For current Attachment pricing, reference BobQuote or Dealer Parts Department.

7133350	ATTACHMENT CONTROL KIT, 7-PINPARTS (For 5600 G-Series, 5600 F-Series, 5600 D-Series, 5610) (Controls 7-Pin Attachments only) (Includes 3 switches mounted in center console) (Estimated Install Time 1 hour)	\$ _____
7114292	ATTACHMENT CONTROL KIT, 7-PINPARTS (For 5600 C-Series) (Controls 7-Pin Attachments only) (Includes 3 switches mounted in center console) (Estimated Install Time 1 hour)	\$ _____
6815260	ATTACHMENT CONTROL KIT, 7-PINPARTS (For 5600 A-Series and B-Series) (Controls 7-Pin Attachments only) (Includes 3 switches mounted in center console) (Estimated Install Time 1 hour)	\$ _____
7120242	ATTACHMENT CONTROL KIT, 14-PINPARTS (Control box is similar to Attachments Plus Control Kit (p/n 6815254)) (Required for 14-Pin Attachments) (Estimated install time 1.5 hours)	\$ _____
6725381	14-PIN ATTACHMENT T-HARNESS KITPARTS (Used with 68" & 84" Angle Brooms and 72" and 84" Hydraulic Soil Conditioners) (A 14-Pin T-Harness Kit is required when used on work machine equipped with a 14-Pin Attachment Control Kit – See Page 1) (Estimated install time .5 hours)	\$ _____
6725384	14-PIN ATTACHMENT T-HARNESS KITPARTS (Use with 7-pin attachment installed on loader with 14-pin control) (Used with Dozer Blade) (Estimated install time .5 hours)	\$ _____



QUICK SPECS

	<u>68"</u>	<u>84"</u>
Operating Weight:	860 lbs.	944 lbs.
Sweep Width Straight:	68"	84"
Sweep Width Fully Angled:	63" @ 25°	77" @ 25°
Broom Angling:	Hyd. Cylinder	Hyd. Cylinder
Oscillation:	Fixed	Fixed
Drive System:	Hyd. Direct Drive	Hyd. Direct Drive
Flow Range:	8-24 gpm	15-28 gpm
Broom Bristle Diameter:	32"	32"
Bristle Material:	Replaceable Polypropylene	Replaceable Polypropylene
Number of Bristle Sections:	36 Zig-Zag 2 Straight	44 Zig-Zag 2 Straight

PART NUMBER	DESCRIPTION	ATTACHMENT	SLP IN US \$
-------------	-------------	------------	--------------

(5600, 5610)

7337703 68" ANGLE BROOM..... \$5,838.00
 (Work Machine must be equipped with a 7-Pin Attachment Control Kit)
 (A 14-Pin T-Harness Kit is required when used on work machine equipped with a 14-Pin Attachment Control Kit – See Page 1)

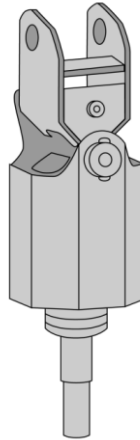
(5600, 5600H, 5610, 5610H)

7337715 84" ANGLE BROOM..... \$6,359.00
 (Work Machine must be equipped with a 7-Pin Attachment Control Kit)
 (A 14-Pin T-Harness Kit is required when used on work machine equipped with a 14-Pin Attachment Control Kit – See Page 1)

DESTINATION CHARGE/FUEL SURCHARGE
 Refer to BobQuote or BobcatNET>>Other Resources>>Pricing Homepage for current Destination and Fuel Charges.

ATTACHMENT	ASSEMBLY REQUIRED	INSTALLATION TIME (HOURS)
------------	-------------------	---------------------------

Angle BroomNone..... **0.0**
 Attachment Control Kit **See Page 1**



Auger Drive Unit

QUICK SPECS

	<u>Model 15C</u>	<u>Model 15H</u>	<u>Model 30C</u>	<u>Model 30H</u>
Ship Weight (Auger Drive):	245 lbs.	246 lbs.	263 lbs.	257 lbs.
Ship Weight (Mtg. Frame):	193 lbs.	193 lbs.	193 lbs.	193 lbs.
Operating Weight (less bit):	345 lbs.	358 lbs.	376 lbs.	370 lbs.
Digging Depth (without extensions):	62"	62"	62"	62"
Torque:	Medium	Medium	High	High
Speed:	Medium	Medium	Low	Low
Shaft Diameter – Round:	2.5"		2.5"	
Shaft Diameter – Hex:	2.0"	2.0"	2.0"	2.0"

PART NUMBER	DESCRIPTION	ATTACHMENT	SLP IN US \$
-------------	-------------	------------	--------------

(5600, 5610)

6809442 MODEL 15C AUGER DRIVE UNIT..... \$1,817.00
 (Must also order Mounting Frame and Bit)
 (Auger drive unit is shipped with a 7/8" round bit retention pin, if used in conjunction with a hex bit a 5/8" Pin Kit P/N 6809733 is required.)

7145345 MODEL 15H AUGER DRIVE UNIT..... \$1,817.00
 (Must also order Mounting Frame and Bit)

(5600H, 5610H)

6809445 MODEL 30C AUGER DRIVE UNIT..... \$2,375.00
 (Must also order Mounting Frame and Bit)
 (Auger drive unit is shipped with a 7/8" round bit retention pin, if used in conjunction with a hex bit a 5/8" Pin Kit P/N 6809733 is required.)

7138264 MODEL 30H HEX SHAFT AUGER DRIVE UNIT \$2,375.00
 (Must also order Mounting Frame and Bit)

PART NUMBER	DESCRIPTION	DEALER INSTALLED ACCESSORIES – ORDER FROM SALES	SLP IN US \$
-------------	-------------	---	--------------

6812980 MOUNTING FRAME \$420.00
 (Includes Mounting Hardware)

PART NUMBER	DEALER INSTALLED ACCESSORIES – ORDER FROM PARTS	DESCRIPTION
-------------	---	-------------

For current Dealer Installed Accessories pricing, reference BobQuote or Dealer Parts Department.

LIGHT DUTY AUGER BITS

White, round Drive, 45" Length, Single Flight.

(5600, 5610)

6679574	6" BITPARTS (Ship Weight 45 lbs.)	\$ _____
6679575	9" BITPARTS (Ship Weight 53 lbs.)	\$ _____
6679576	12" BITPARTS (Ship Weight 100 lbs.)	\$ _____
6679577	15" BITPARTS (Ship Weight 120 lbs.)	\$ _____
6679578	18" BITPARTS (Ship Weight 79 lbs.)	\$ _____
6679579	24" BITPARTS (Ship Weight 144 lbs.)	\$ _____
6679580	30" BITPARTS (Ship Weight 124 lbs.)	\$ _____
6679581	36" BITPARTS (Ship Weight 165 lbs.)	\$ _____

STANDARD AUGER BITS & ACCESSORIES

Charcoal Color, Round Drive, 49" Length, Double Flight, Variable Tooth Angle: 40° or 50°

(5600, 5610)

6666891	6" BITPARTS (Ship Weight 60 lbs.)	\$ _____
6666892	9" BITPARTS (Ship Weight 91 lbs.)	\$ _____
6666893	12" BITPARTS (Ship Weight 128 lbs.)	\$ _____
6666894	15" BITPARTS (Ship Weight 119 lbs.)	\$ _____
6666895	18" BITPARTS (Ship Weight 160 lbs.)	\$ _____
6666896	24" BITPARTS (Ship Weight 203 lbs.)	\$ _____
6666900	24" TREE PLANTING BITPARTS (Ship Weight 162 lbs.)	\$ _____
6666901	30" TREE PLANTING BITPARTS (Ship Weight 162 lbs.)	\$ _____

PART NUMBER	DEALER INSTALLED ACCESSORIES – ORDER FROM PARTS DESCRIPTION
-------------	---

For current Dealer Installed Accessories pricing, reference BobQuote or Dealer Parts Department.

STANDARD AUGER BITS & ACCESSORIES

Charcoal Color, Round Drive, 49" Length, Double Flight, Variable Tooth Angle: 40° or 50°

(5600 C-SERIES)

6666897	30" BITPARTS (Use with 5600 s/n A00211001 & above and 5600T s/n A00311001 and above) (Ship Weight 275 lbs.)	\$ _____
6666898	36" BIT (MODEL 15 & 30)PARTS (Use with 5600 s/n A00211001 & above and 5600T s/n A00311001 and above) (Ship Weight 380 lbs.)	\$ _____
6666901	30" TREE PLANTING BITPARTS (Use with 5600 s/n A00211001 & above and 5600T s/n A00311001 and above) (Ship Weight 236 lbs.)	\$ _____
6666902	36" TREE PLANTING BITPARTS (Use with 5600 s/n A00211001 & above and 5600T s/n A00311001 and above) (Ship Weight 305 lbs.)	\$ _____

HEAVY DUTY AUGER BITS & ACCESSORIES

Orange Color, Hex Drive, 42" Length, Single Flight

(5600, 5610)

6674957	6" BITPARTS (If installed on a 15C or 30C Auger drive unit, a 5/8" Pin Kit P/N 6809733 is required) (Ship Weight 46 lbs.)	\$ _____
6674958	9" BITPARTS (If installed on a 15C or 30C Auger drive unit, a 5/8" Pin Kit P/N 6809733 is required) (Ship Weight 59 lbs.)	\$ _____
6674959	12" BITPARTS (If installed on a 15C or 30C Auger drive unit, a 5/8" Pin Kit P/N 6809733 is required) (Ship Weight 76 lbs.)	\$ _____
6674960	16" BITPARTS (If installed on a 15C or 30C Auger drive unit, a 5/8" Pin Kit P/N 6809733 is required) (Ship Weight 97 lbs.)	\$ _____
6675034	18" BITPARTS (If installed on a 15C or 30C Auger drive unit, a 5/8" Pin Kit P/N 6809733 is required) (Ship Weight –112 lbs.)	\$ _____
6674961	20" BITPARTS (If installed on a 15C or 30C Auger drive unit, a 5/8" Pin Kit P/N 6809733 is required) (Ship Weight 117 lbs.)	\$ _____
6674962	24" BITPARTS (If installed on a 15C or 30C Auger drive unit, a 5/8" Pin Kit P/N 6809733 is required) (Ship Weight 151 lbs.)	\$ _____
6674963	30" BITPARTS (If installed on a 15C or 30C Auger drive unit, a 5/8" Pin Kit P/N 6809733 is required) (Ship Weight 193 lbs.)	\$ _____

(5600 C-SERIES)

6674964	36" BITPARTS (If installed on a 15C or 30C Auger drive unit, a 5/8" Pin Kit P/N 6809733 is required) (Ship Weight 270 lbs.)	\$ _____
6674965	42" BITPARTS (Use with 5600 s/n A00211001 & above and 5600T s/n A00311001 and above) (Ship Weight 302 lbs.)	\$ _____

PART NUMBER	DEALER INSTALLED ACCESSORIES – ORDER FROM PARTS	DESCRIPTION
-------------	---	-------------

For current Dealer Installed Accessories pricing, reference BobQuote or Dealer Parts Department.

ROCK AUGER BITS

White Color, Hex Shaft, 42" Length, Single Flight

(5600, 5610)

7169665	6" BITPARTS (Ship Weight 64 lbs.)	\$ _____
7169666	9" BITPARTS (Ship Weight 78 lbs.)	\$ _____
7169667	12" BITPARTS (Ship Weight 102 lbs.)	\$ _____
7169668	16" BITPARTS (Ship Weight 123 lbs.)	\$ _____
7169669	18" BITPARTS (Ship Weight 149 lbs.)	\$ _____
7169670	20" BITPARTS (Ship Weight 152 lbs.)	\$ _____
7169671	24" BITPARTS (Ship Weight 195 lbs.)	\$ _____

(5600 C-SERIES)

7169672	30" BITPARTS (Use with 5600 s/n A00211001 & above and 5600T s/n A00311001 and above) (Ship Weight 225 lbs.)	\$ _____
---------	---	----------

Rock Auger Bits Accessories – See Heavy Duty Auger Bits Accessories

Standard Auger Bits Accessories

6679806	48" ADJUSTABLE ROUND EXTENSIONPARTS (For Model 10, 15, 15C, 30 and 30C Augers) (6" and 9" bits will not allow the extension to telescope, only works in the top position) (Ship Weight 82 lbs.)	\$ _____
6679826	24" ADJUSTABLE ROUND EXTENSIONPARTS (For Model 10, 15, 15C, 30 and 30C Augers) (6" and 9" bits will not allow the extension to telescope, only works in the top position) (Ship Weight 44 lbs.)	\$ _____
6679825	14" ROUND EXTENSIONPARTS (For Model 10, 15, 15C, 30 and 30C Augers) (Ship Weight 24 lbs.)	\$ _____

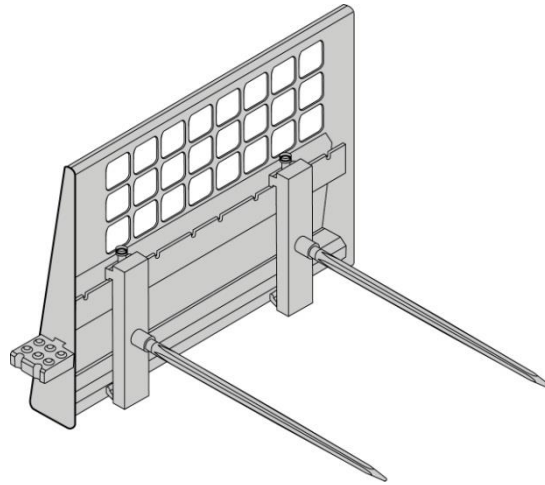
Heavy Duty Auger Bits Accessories/Rock Auger Bits Accessories

6809733	5/8" (.625) PIN KITPARTS (Used for retention of hex bits on 15C and 30C Auger drive units) (Ship Weight 11 lbs.)	\$ _____
6679807	48" ADJUSTABLE HEX EXTENSIONPARTS (For Model 15H, 15C, 30H and 30C Augers) (Ship Weight 48 lbs.)	\$ _____
6662876	24" ADJUSTABLE HEX EXTENSIONPARTS (For Model 15H, 15C, 30H and 30C Augers) (Ship Weight 33 lbs.)	\$ _____
6662874	ROUND SHAFT TO HEX BIT ADAPTER, CASTPARTS (For Model 15 & 30 Augers with Round Output Shaft) (Ship Weight 19 lbs.)	\$ _____
6662875	HEX SHAFT TO ROUND BIT ADAPTER, CASTPARTS (For Model 15H & 30H Augers with Hex Output Shaft) (Ship Weight 20 lbs.)	\$ _____
7137091	HEX SHAFT TO ROUND BIT ADAPTER, SLEEVEPARTS (For Model 15H & 30H Augers with Hex Output Shaft) (5/8" Pin Kit P/N 6809733 is required.) (Sleeve slides over hex shaft, converting it to round) (Ship Weight 3 lbs.)	\$ _____

DESTINATION CHARGE/FUEL SURCHARGE Refer to BobQuote or BobcatNET>>Other Resources>>Pricing Homepage for current Destination and Fuel Charges.

ATTACHMENT	ASSEMBLY REQUIRED	INSTALLATION TIME (HOURS)
-------------------	--------------------------	--------------------------------------

Auger.....	Assemble drive unit to mounting frame and install bit	0.5
-------------------	--	------------



Bale Forks with Pallet Fork Frame

QUICK SPECS

Operating Weight:	100 lbs.
Operating Capacity:	1,500 lbs.
Length of Fork:	40.8"

PART NUMBER	DESCRIPTION	ATTACHMENT	SLP IN US \$
-------------	-------------	------------	--------------

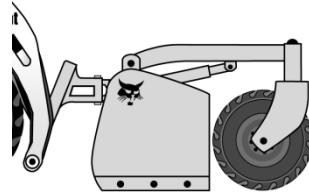
(5600, 5610)

6815781	BALE FORKS, SET OF 2 (Must also order pallet fork frame p/n 6712927)		\$682.00
----------------	--	--	-----------------

DESTINATION CHARGE/FUEL SURCHARGE
 Refer to BobQuote or BobcatNET>>Other Resources>>Pricing Homepage for current Destination and Fuel Charges.

ATTACHMENT	ASSEMBLY REQUIRED	INSTALLATION TIME (HOURS)
------------	-------------------	---------------------------

Bale Forks.....	None.....	0.0
-----------------	-----------	------------



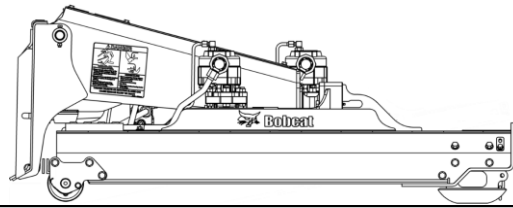
QUICK SPECS

	<u>84"</u>
Operating Weight:	980 lbs.
Height:	32.0"
Width:	85.5"
Moldboard Width:	84.0"
Moldboard Cutting Edge (Reversible):	½" X 6"

PART NUMBER	DESCRIPTION	ATTACHMENT	SLP IN US \$
(5600, 5610) 6906574	84" BOX BLADE (Used for rough grading and landscaping)		\$4,374.00

DESTINATION CHARGE/FUEL SURCHARGE
 Refer to BobQuote or BobcatNET>>Other Resources>>Pricing Homepage for current Destination and Fuel Charges.

ATTACHMENT	ASSEMBLY REQUIRED	INSTALLATION TIME (HOURS)
Box Blade.....	Install cylinder pin.....	0.25



QUICK SPECS

	<u>RC66</u>	<u>RC66HF</u>	<u>RC72</u>	<u>RC72HF</u>
Operating Weight.....	1437 lbs.	1437 lbs.	1500 lbs.	1500 lbs.
Hydraulic Flow Range.....	15-24 gpm	24-36 gpm	15-26 gpm	24-40gpm
Blade Tip Speed (Minimum Flow / ft./min)	11,399	11,394	9,922	9,992
Blade Tip Speed (Maximum Flow / ft./min)	18,238	17,064	17,197	16,536
Cutting Width.....	66"	66"	72"	72"
Cutting Height.....	3"	3"	3"	3"
Deck Length.....	61.1"	61.1"	64.3"	64.3"
Vertical Travel.....	8"	8"	8"	8"
Overall Width.....	70.3"	70.3"	76.3"	76.3"
Overall Height.....	26.5"	26.5"	26.5"	26.5"
Overall Length.....	67.2"	67.2"	70.4"	70.4"
Cutting Capacity.....	Brush Material up to 3 in in Diameter for all models			

PART NUMBER	ATTACHMENT DESCRIPTION	SLP IN US \$
-------------	------------------------	--------------

(5600, 5610)

7234049 RC66 BRUSHCAT ROTARY CUTTER \$6,656.00
 (Not approved for A-Series or B-Series) (Approved for use with 5600 s/n A00211001 & above, 5600 s/n A00311001 & above, 5600 s/n A0W111001 & above, 5600 s/n A94Y11001 & above, 5610 A7Y711001 & above and 5610 APFB11001 & above)
 (Comes with 3" Offset Blades and Front Discs) (Cutting height of 3")

(5600H, 5610H)

7233014 RC66HF BRUSHCAT ROTARY CUTTER..... \$7,467.00
 (Not approved for A-Series or B-Series) (Approved for use with 5600 s/n A00311001 & above, 5600 s/n A0W111001, & above, 5600 s/n A94Y11001 & above, 5610 A7Y711001 & above and 5610 APFB11001 & above)
 (Comes with 3" Offset Blades and Front Discs) (Cutting height of 3")

(5600H, 5610H)

7218087 RC72 BRUSHCAT ROTARY CUTTER\$6,991.00
 (Not approved for A-Series or B-Series) (Approved for use with 5600 s/n A00211001 & above, 5600 s/n A00311001 & above, 5600 s/n A0W111001 & above, 5600 s/n A94Y11001 & above, 5610 A7Y711001 & above and 5610 APFB11001 & above)
 (Comes with 3" Offset Blades and Front Discs Assembled) (Cutting height of 3")

(5600H, 5610H)

7233002 RC72HF BRUSHCAT ROTARY CUTTER \$7,658.00
 (Not approved for A-Series or B-Series) (Approved for use with 5600 s/n A00311001 & above, 5600 s/n A0W111001, & above, 5600 s/n A94Y11001 & above, 5610 A7Y711001 & above and 5610 APFB11001 & above)
 (Comes with 3" Offset Blades and Front Discs Assembled) (Cutting height of 3")

PART NUMBER	DEALER INSTALLED ACCESSORIES – ORDER FROM PARTS	DESCRIPTION
-------------	--	-------------

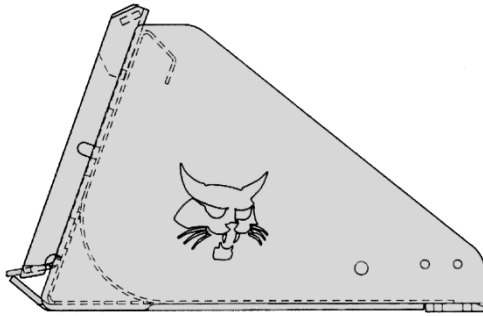
For current Dealer Installed Accessories pricing, reference BobQuote or Dealer Parts Department.

7242262	4" CUTTING HEIGHT BLADES KIT	PARTS	\$	_____
	(For 66" Rotary Cutter) (Includes (4) Blades and Mounting Hardware)			
7242261	FRONT ROLLER KIT	PARTS	\$	_____
7244897	MOTOR COVER KIT	PARTS	\$	_____

DESTINATION CHARGE/FUEL SURCHARGE
Refer to BobQuote or BobcatNET>>Other Resources>>Pricing Homepage for current Destination and Fuel Charges.

ATTACHMENT	ASSEMBLY REQUIRED	INSTALLATION TIME (HOURS)
------------	-------------------	---------------------------

Brushcat Rotary Cutter	None.....	-
Blade Kits	Install blades.....	1.5
Front Roller Kit	Install rollers.....	1.0
Motor Cover Kit	Install covers.....	0.5



PART NUMBER	DESCRIPTION	ATTACHMENT	SAE HEAPED CAPACITY (FT ³)	OPER. WGT.	SLP IN US \$
-------------	-------------	------------	--	------------	--------------

(5600, 5610)

STANDARD DUTY

7272771	68" STANDARD DUTY BUCKET ♦	13.3	354	\$750.00
7272768	74" STANDARD DUTY BUCKET ♦	14.5	373	\$798.00

HEAVY DUTY

7272678	62" HEAVY DUTY BUCKET ♦	15.3	476	\$957.00
(62" HD Bucket will not cover width of ToolCat equipped with Wide Tires (64"))				
7272679	68" HEAVY DUTY BUCKET ♦	16.9	508	\$1,056.00

LIGHT MATERIAL

7279100	68" LIGHT MATERIAL BUCKET Δ	24.9	589	\$1,207.00
7279101	74" LIGHT MATERIAL BUCKET Δ	27.3	632	\$1,277.00
7279102	80" LIGHT MATERIAL BUCKET Δ	29.7	669	\$1,400.00

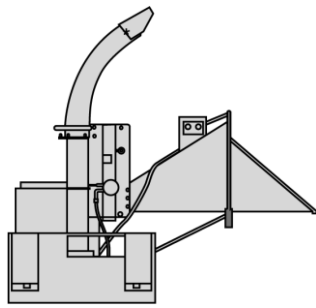
PART NUMBER	DESCRIPTION	DEALER INSTALLED ACCESSORIES – ORDER FROM PARTS		
-------------	-------------	---	--	--

For current Dealer Installed Accessories pricing, reference BobQuote or Dealer Parts Department.

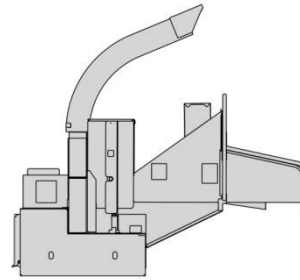
6729084	BOLT-ON CORNER CUTTING EDGE	PARTS	\$ _____
(3/4" thick single bevel, threaded cutting edge. Does not require nut)			
7104508	BOLT-ON CUTTING EDGE, 68"	PARTS	\$ _____
(For 68" Standard Duty Buckets) (Hardware not included) (Estimated Install Time 1.5 hours)			
7104510	BOLT-ON CUTTING EDGE, 74"	PARTS	\$ _____
(For 74" Standard Duty Buckets) (Hardware not included) (Estimated Install Time 1.5 hours)			
6905314	BUCKET BITE TOOTH BAR, 62"	PARTS	\$ _____
6905315	BUCKET BITE TOOTH BAR, 68"	PARTS	\$ _____
6905316	BUCKET BITE TOOTH BAR, 74"	PARTS	\$ _____

DESTINATION CHARGE/FUEL SURCHARGE
Refer to BobQuote or BobcatNET>>Other Resources>>Pricing Homepage for current Destination and Fuel Charges.

ATTACHMENT	ASSEMBLY REQUIRED	INSTALLATION TIME (HOURS)
Bucket	None.....	0.0



5A Chipper



8B Chipper

QUICK SPECS

	<u>5A</u>	<u>8B</u>
Operating Weight:	1145 lbs.	1660 lbs.
Feeder Opening:	5"	9.2"
Continuous Chipping Size:	Up to 3" diameter material	Up to 5" diameter material
Feed Table Height:	23.5"	25.4"
Discharge Chute Height:	92"	93.3"
Blades:	4 reversible tool steel blades	4 reversible tool steel blades
Dual Mounting Locations:	Front or right side of loader	Front or right side of loader
Discharge Chute (Incl. End Deflector):	Rotates 360°	Rotates 360°
Both chippers have automatic hydraulic feed, which includes speed control and load sensing system.		

PART NUMBER	ATTACHMENT DESCRIPTION	SLP IN US \$
-------------	------------------------	--------------

(5600, 5610)

6719129	5A CHIPPER \$11,071.00 (Work Machine must be equipped with a 7-Pin Attachment Control Kit) (Work Machines serial number 520512159 and below require version 27 or newer software to be installed on machine.)	
----------------	---	--

(5600H, 5610H)

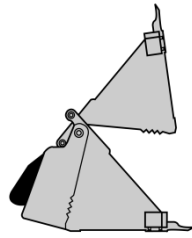
7117662	8B CHIPPER \$13,930.00 (Work machine must be equipped with an 7-Pin Attachment Control Kit – See Page 1) (Approved for use with 5600 s/n 424711001 & above, 5600 s/n A0W111001 & above, 5600 s/n A94Y11001 & above, 5610 A7Y711001 & above and 5610 APFB11001 & above)	
----------------	--	--

DESTINATION CHARGE/FUEL SURCHARGE

Refer to BobQuote or BobcatNET>>Other Resources>>Pricing Homepage for current Destination and Fuel Charges.

ATTACHMENT	ASSEMBLY REQUIRED	INSTALLATION TIME (HOURS)
------------	-------------------	---------------------------

Chipper	Install discharge chute.....	0.25
Attachment Control Kit		See Page 1



62" Combo Bucket

QUICK SPECS

<i>62" Combo Bucket</i>	
Operating Weight:	807 lbs.
Overall Width:	62.5"
SAE Capacity Heaped:	10.7 ft ³
Number of Teeth:	7 bolt-on
Max Clamping Force:	8590 lbs.

PART NUMBER	ATTACHMENT DESCRIPTION	SLP IN US \$
-------------	------------------------	--------------

(5600, 5610)

7167310	62" COMBINATION BUCKET (Approved for use with 5600 s/n A00211001 & above, 5600 s/n A00311001 & above, 5600 s/n A0W111001 & above, 5600 s/n A94Y11001 & above, 5610 A7Y711001 & above and 5610 APFB11001 & above) (Bolt-on Teeth are available from Bobcat Parts)	\$3,274.00
---------	--	-------------------

Note: Combination Buckets are not approved for use with the Tilt-Tatch.

PART NUMBER	DEALER INSTALLED ACCESSORIES – ORDER FROM PARTS DESCRIPTION	
-------------	---	--

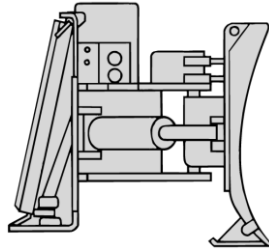
For current Dealer Installed Accessories pricing, reference BobQuote or Dealer Parts Department.

6737322	8 BOLT-ON TEETH KITPARTS (Must purchase multiple of 8: 8x\$27.85=\$222.80) (Tooth Assembly includes Bolt-on Shank with Pin-on Tooth) (Hardware included)	\$ _____
7107317	HENSLEY FORGED TOOTH POINTPARTS (Qty. 1)	\$ _____
7107320	HENSLEY TIGER TOOTH POINTPARTS (Qty. 1)	\$ _____
7107321	HENSLEY TWIN TIGER TOOTH POINTPARTS (Replacement Pin-on Tooth Point) (Qty. 1)	\$ _____
6718005	BOLT-ON CUTTING EDGE, 62"PARTS (Estimated install time 0.5 hours)	\$ _____

DESTINATION CHARGE/FUEL SURCHARGE
Refer to BobQuote or BobcatNET>>Other Resources>>Pricing Homepage for current Destination and Fuel Charges.

	ASSEMBLY REQUIRED	INSTALLATION TIME (HOURS)
ATTACHMENT		

Combination Bucket.....None..... 0.0



80" Dozer

QUICK SPECS

<i><u>80" Dozer</u></i>	
Operating Weight:	950 lbs.
Width:	80"
Working Width Fully Angled:	69.3"
Blade Height:	24.1"
Overall Height:	24.9"
Length:	33.0"
Oscillation:	± 8°
Angle:	± 30°
Cutting Edge (reversible):	0.5" x 6"
Cylinders:	3
Skid Shoes:	Adjustable

PART NUMBER	DESCRIPTION	ATTACHMENT	SLP IN US \$
-------------	-------------	------------	--------------

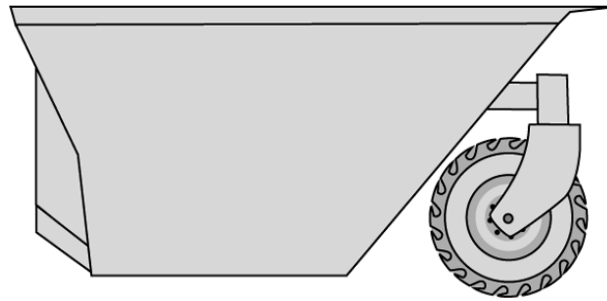
(5600, 5610) 6905884	80" DOZER BLADE, 6-WAY (Work Machine must be equipped with a 7-Pin Attachment Control Kit) (A 14-Pin T-Harness Kit is required when used on work machine equipped with a 14-Pin Attachment Control Kit – See Page 1)	\$5,224.00
--------------------------------	---	-------------------

DESTINATION CHARGE/FUEL SURCHARGE

Refer to BobQuote or BobcatNET>>Other Resources>>Pricing Homepage for current Destination and Fuel Charges.

ATTACHMENT	ASSEMBLY REQUIRED	INSTALLATION TIME (HOURS)
------------	-------------------	---------------------------

Dozer Blade	Adjust shoes	0.50
Attachment Control Kit		See Page 1



Model 10

QUICK SPECS

Model 10

Operating Weight:	665 lbs.
Height:	40"
Length:	83"
Width:	36"
Capacity - Struck:	25.7 cu. ft.
Capacity - Heaped:	29.7 cu. ft.

PART NUMBER	DESCRIPTION	ATTACHMENT	SLP IN US \$
-------------	-------------	------------	--------------

(5600, 5610)

6727275	MODEL 10 DUMPING HOPPER.....		\$3,210.00
---------	------------------------------	--	-------------------

(Approved for use with 5600 s/n A00211001 & above, 5600 s/n A00311001 & above, 5600 s/n A0W111001 & above, 5600 s/n A94Y11001 & above, 5610 A7Y711001 & above and 5610 APFB11001 & above) (Must also order mounting frame bracket p/n 6729483) (Includes 8.5 x 12 Bobcat Heavy Duty Tire. Tire is not installed on Dumping Hopper.)

PART NUMBER	DESCRIPTION	DEALER INSTALLED ACCESSORIES – ORDER FROM PARTS
-------------	-------------	---

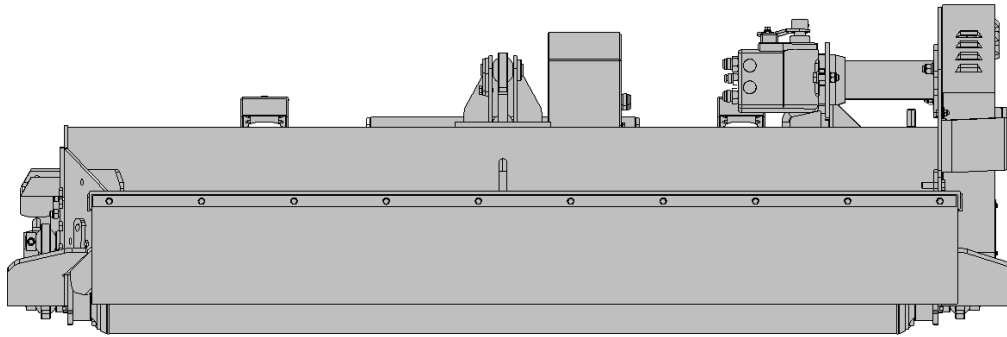
For current Dealer Installed Accessories pricing, reference BobQuote or Dealer Parts Department.

6729483	MOUNTING FRAME BRACKET	PARTS	\$_____
---------	------------------------------	-------	---------

DESTINATION CHARGE/FUEL SURCHARGE
Refer to BobQuote or BobcatNET>>Other Resources>>Pricing Homepage for current Destination and Fuel Charges.

ATTACHMENT	ASSEMBLY REQUIRED	INSTALLATION TIME (HOURS)
------------	-------------------	---------------------------

Dumping Hopper	Install tires	0.50
----------------------	---------------------	-------------



QUICK SPECS

Operating Weight:	1,640 lbs.
Cutting Width:	78"
Overall Width:	91"
Flow:	17 – 40 gpm
Hammers:	21
Cutting Capacity:	Brush material up to 3" in diameter
Blade Tip Speed:	8200 ft./min. @ 2000 RPM 9000 ft./min. @ 2200 RPM

PART NUMBER	ATTACHMENT DESCRIPTION	SLP IN US \$
-------------	------------------------	--------------

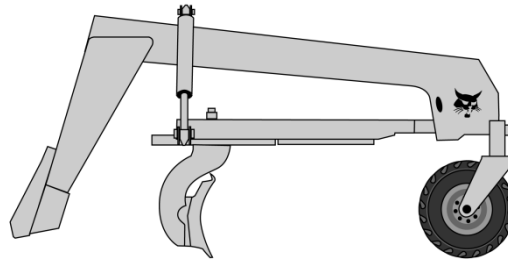
(5600, 5600H, 5610, 5610H)

7101894 FC200 FLAIL CUTTER..... \$12,940.00

DESTINATION CHARGE/FUEL SURCHARGE
 Refer to BobQuote or BobcatNET>>Other Resources>>Pricing Homepage for current Destination and Fuel Charges.

ATTACHMENT	ASSEMBLY REQUIRED	INSTALLATION TIME (HOURS)
------------	-------------------	---------------------------

Flail CutterNone..... 0.0



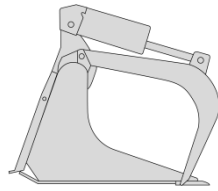
QUICK SPECS

<i>84" Grader</i>	
Operating Weight:	1375 lbs.
Width of Moldboard:	84"
Width of Moldboard Fully Angled:	76.1"
Moldboard Angle (Right or Left):	± 25°
Manual Blade Offset (Right or Left):	± 12" (manual)
Bolster Oscillation:	± 25°
Grader Control Valve:	3 spool electric solenoid control
Moldboard Cutting Edge (reversible):	½" x 6"
Cylinders:	3

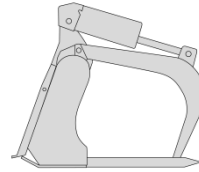
PART NUMBER	ATTACHMENT DESCRIPTION	SLP IN US \$
(5600, 5610) 6906480	GRADER, 84" (Work Machine must be equipped with a 7-Pin Attachment Control Kit) (A 14-Pin T-Harness Kit is required when used on work machine equipped with a 14-Pin Attachment Control Kit – See Page 1)	\$9,624.00

DESTINATION CHARGE/FUEL SURCHARGE
 Refer to BobQuote or BobcatNET>>Other Resources>>Pricing Homepage for current Destination and Fuel Charges.

ATTACHMENT	ASSEMBLY REQUIRED	INSTALLATION TIME (HOURS)
Grader.....	Assemble cylinder to moldboard	0.25



Industrial Bucket Grapple



Industrial Fork Grapple

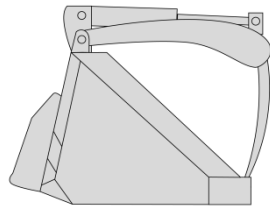
QUICK SPECS

	<u>62" Bkt.</u>	<u>68" Bkt.</u>	<u>66" Fork</u>
Operating Weight:	884 lbs.	922 lbs.	937 lbs.
Overall Grapple Width:	62"	68"	66.9"
# of Teeth - Factory:	N/A	N/A	7
# of Teeth - Possible:	N/A	N/A	13

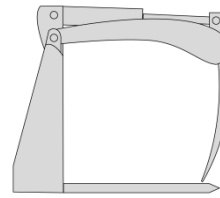
PART NUMBER	DESCRIPTION	ATTACHMENT	SLP IN US \$
(5600, 5610)			
7168342	62" INDUSTRIAL BUCKET GRAPPLE		\$3,464.00
	(Bolt-On Cutting Edge included)		
7168340	68" INDUSTRIAL BUCKET GRAPPLE		\$3,602.00
	(Bolt-On Cutting Edge included)		
7168344	66" INDUSTRIAL FORK GRAPPLE, WITH 7 TEETH		\$4,162.00

DESTINATION CHARGE/FUEL SURCHARGE
 Refer to BobQuote or BobcatNET>>Other Resources>>Pricing Homepage for current Destination and Fuel Charges.

ATTACHMENT	ASSEMBLY REQUIRED	INSTALLATION TIME (HOURS)
Industrial Grapple	Install port relief on loader	0.75



Utility Grapple with Bucket



Utility Grapple with Forks

QUICK SPECS

	<u>55" Utility - C/I</u>	<u>55" Utility - GP</u>
Operating Weight:	243 lbs.	250 lbs.
Grapple Width:	55"	55"
# of Tines - Factory:	4	4
# of Tines - Possible:	8	8

PART NUMBER	ATTACHMENT DESCRIPTION	SLP IN US \$
-------------	------------------------	--------------

(5600, 5610) 7176977	GRAPPLE, 55" UTILITY – C/I..... (Fits 60 – 72" Utility Forks)	\$1,635.00
(5600, 5610) 7176783	GRAPPLE, 55" UTILITY - GP (Fits 62", 68" and 74" General Purpose buckets) (Must also order Grapple stop kit, p/n 7120201 or 6818369)	\$1,615.00

PART NUMBER	DEALER INSTALLED ACCESSORIES – ORDER FROM PARTS DESCRIPTION	
-------------	---	--

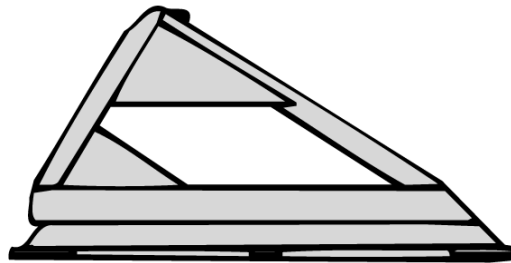
For current Dealer Installed Accessories pricing, reference BobQuote or Dealer Parts Department.

7120201	GRAPPLE STOP KIT.....PARTS (Use with grapple p/n 6725444, 7125371 and 7176783) (Not required with grapple p/n 7176977) (Use with 5600 s/n A00211001 & above and 5600T s/n A00311001 & above) (Use with 5600T s/n A0W111001 & above, 5610 s/n A7Y711001 & above) (Installed between Utility Grapple tower and Work Machine auxiliary coupler manifold)	\$ _____
6818369	GRAPPLE STOP KIT.....PARTS (Use with grapple p/n 6725444, 7125371 and 7176783) (Not required with grapple p/n 7176977) (Use with 5600 s/n 424811001 & above and 5600T s/n 424711001 & above) (Installed between Utility Grapple tower and Work Machine auxiliary coupler manifold)	\$ _____

Note: It is recommended that a port relief be installed for use with the grapples. Installation instructions are included in the Operation Manual. Order the following from Bobcat Parts:
 6686242 Port Relief (3500 psi)

<p>DESTINATION CHARGE/FUEL SURCHARGE Refer to BobQuote or BobcatNET>>Other Resources>>Pricing Homepage for current Destination and Fuel Charges.</p>
--

ATTACHMENT	ASSEMBLY REQUIRED	INSTALLATION TIME (HOURS)
Utility Grapple	Assemble grapple and bolt to utility fork or bucket.....	2.5
Grapple Stop	Install between grapple tower and coupler manifold.....	0.5



QUICK SPECS

	<i>72" Deluxe</i>
Operating Weight:	680 lbs.
Length:	51.5"
Width:	73"
Height:	20.9"
Working Depth:	3.5"
Cutting Edge:	0.5" x 6"

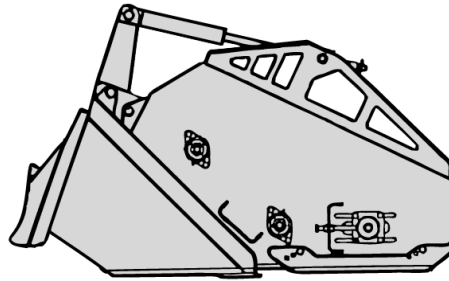
PART NUMBER	DESCRIPTION	ATTACHMENT	SLP IN US \$
-------------	-------------	------------	--------------

(5600, 5610)		
6906150	72" DELUXE LANDPLANE LEVELING ATTACHMENT	\$2,267.00
	(Includes expanded metal grate, scarifier assembly, teeth and respective hardware)	

DESTINATION CHARGE/FUEL SURCHARGE
 Refer to BobQuote or BobcatNET>>Other Resources>>Pricing Homepage for current Destination and Fuel Charges.

ATTACHMENT	ASSEMBLY REQUIRED	INSTALLATION TIME (HOURS)
------------	-------------------	---------------------------

Landplane.....	None.....	0.0
----------------	-----------	-----



QUICK SPECS

Operating Weight:	1009 lbs.
Working Width:	60"
Overall Width:	66.6"
# of Tooth Bars:	12
# of Teeth (total):	384
Bucket Capacity:	12.1 cu. ft.

PART NUMBER	DESCRIPTION	ATTACHMENT	SLP IN US \$
-------------	-------------	------------	--------------

(5600, 5610)

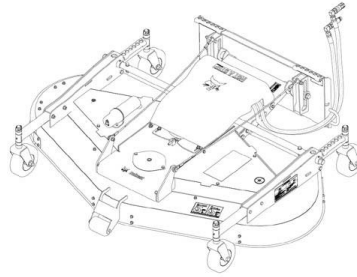
6709107 5B LANDSCAPE RAKE \$7,912.00

(Not approved for A-Series or B-Series) (Approved for use with 5600 s/n A00211001 & above, 5600 s/n A00311001 & above, 5600 s/n A0W111001 & above, 5600 s/n A94Y11001 & above, 5610 A7Y711001 & above and 5610 APFB11001 & above)

DESTINATION CHARGE/FUEL SURCHARGE
 Refer to BobQuote or BobcatNET>>Other Resources>>Pricing Homepage for current Destination and Fuel Charges.

ATTACHMENT	ASSEMBLY REQUIRED	INSTALLATION TIME (HOURS)
------------	-------------------	---------------------------

Landscape Rake Install dump restrictor on loader 2.0
 (One of each shipped with rake)



QUICK SPECS

	<u>72" Mower</u>	<u>90" Mower</u>
Operating Weight.....	880 lbs.	990 lbs.
Cutting Width.....	71.5"	89.5"
Overall Width.....	76"	94"
Overall Length.....	68"	75"
Cutting Height Range.....	2"—5.5"	2"—5.5"
(adjustable in 1/2 inch increments)		
Flow Range.....	15—22 gpm	15—22 gpm
Number of Blades.....	3	3
Shut-off Travel.....	8.5"	8.5"
Blade Tip Speeds.....	11,251 ft/min @ 15 GPM	11,026 ft/min @ 15 GPM
	15,002 ft/min @ 20 GPM	14,702 ft/min @ 20 GPM
	16,502 ft/min @ 22 GPM	16,172 ft/min @ 22 GPM

PART NUMBER	ATTACHMENT DESCRIPTION	SLP IN US \$
(5600, 5610) 7144850	72" MOWER.....	\$5,794.00
(5600, 5610) 7143993	90" MOWER.....	\$6,339.00

PART NUMBER	DEALER INSTALLED ACCESSORIES – ORDER FROM PARTS DESCRIPTION
-------------	---

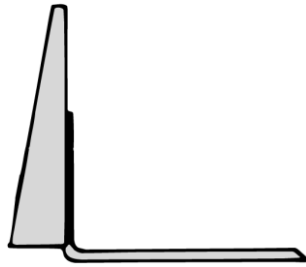
For current Dealer Installed Accessories pricing, reference BobQuote or Dealer Parts Department.

7144843	MULCH KIT FOR 72" MOWER.....	PARTS	\$ _____
7144008	MULCH KIT FOR 90" MOWER.....	PARTS	\$ _____
7144844	SIDE DISCHARGE KIT FOR 72" MOWER.....	PARTS	\$ _____
7144009	SIDE DISCHARGE KIT FOR 90" MOWER.....	PARTS	\$ _____

DESTINATION CHARGE/FUEL SURCHARGE
Refer to BobQuote or BobcatNET>>Other Resources>>Pricing Homepage for current Destination and Fuel Charges.

ATTACHMENT	ASSEMBLY REQUIRED	INSTALLATION TIME (HOURS)

Side Discharge KitInstall on mower..... 0.50



QUICK SPECS

	<u>42"</u>	<u>48"</u>
Weight (Frame & Forks):	590 lbs.	600 lbs.
Fork Width:	4"	4"

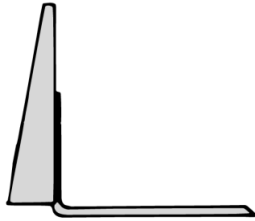
PART NUMBER	DESCRIPTION	ATTACHMENT	SLP IN US \$
-------------	-------------	------------	--------------

6905425	48" HYDRAULIC PALLET FORK		\$3,014.00
	(Includes back frame and 2 hydraulically adjustable 48" teeth)		

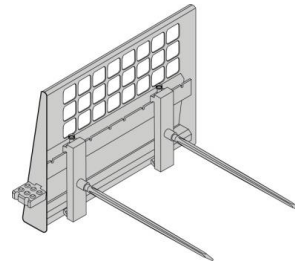
DESTINATION CHARGE/FUEL SURCHARGE
 Refer to BobQuote or BobcatNET>>Other Resources>>Pricing Homepage for current Destination and Fuel Charges.

ATTACHMENT	INSTALLATION TIME (HRS.)
------------	--------------------------

Hydraulic Pallet Fork.....	None..... -
----------------------------	-------------



Standard Pallet Fork Teeth and Frame



Bale Forks and Frame

QUICK SPECS

Pallet Fork Frame

Operating Weight 200 lbs

Pallet Fork Teeth

	<u>36"</u>	<u>42"</u>	<u>48"</u>	<u>Bale Forks</u>
Ship Weight (set of 2)	147 lbs.	164 lbs.	181 lbs.	119 lbs.
Fork Width	4"	4"	4"	

PART NUMBER	ATTACHMENT DESCRIPTION	SLP IN US \$
-------------	------------------------	--------------

A new ordering method will be required for bundles of buckets and pallet forks. Instead of ordering a different part number for a bundled product, you will simply use the single part number and the 'Change Quantity' box in OSS to order the quantity that meets the requirement for a bundle discount. The OSS order system will help step you through it and alert you if the product you are ordering can be bundled, what quantity needs to be ordered to get the discount, and what the discounted price will be.

(5600, 5610)

6712927 **PALLET FORK FRAME, LESS TEETH.....** **\$437.00**
 (Bundled discounts will be given on invoice to PN 6712927 when ordered in multiples of 10)

BALE FORKS

6815781 **BALE FORKS, SET OF 2.....** **\$682.00**

PALLET FORK TEETH

6540184 **36" PALLET FORK TEETH, SET OF 2.....** **\$274.00**

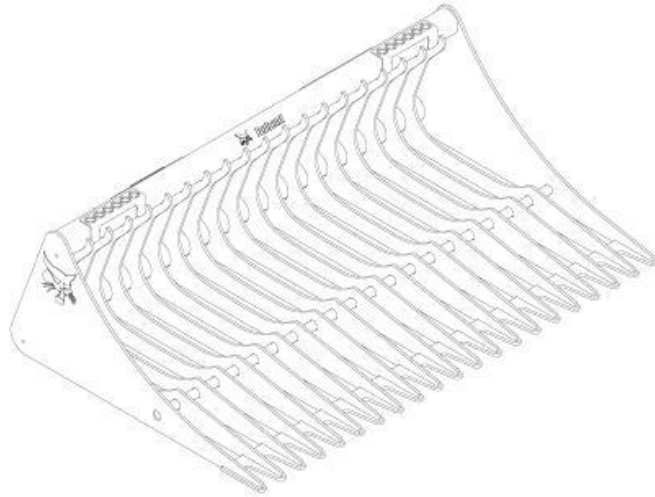
6540183 **42" PALLET FORK TEETH, SET OF 2.....** **\$292.00**
 (Bundled discounts will be given on invoice to PN 6540183 when ordered in multiples of 10 pairs)

6540182 **48" PALLET FORK TEETH, SET OF 2.....** **\$299.00**
 (Bundled discounts will be given on invoice to PN 6540182 when ordered in multiples of 10 pairs)

DESTINATION CHARGE/FUEL SURCHARGE
 Refer to BobQuote or BobcatNET>>Other Resources>>Pricing Homepage for current Destination and Fuel Charges.

ATTACHMENT	ASSEMBLY REQUIRED	INSTALLATION TIME (HRS.)
------------	-------------------	--------------------------

Pallet Fork **Install forks on frame.....** **0.25**

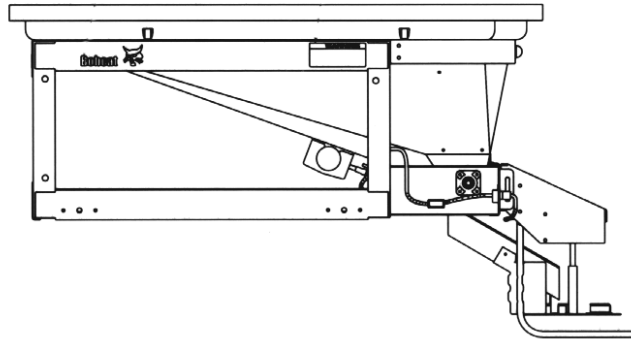


QUICK SPECS

	<u>62"</u>	<u>68"</u>
Operating Weight:	558 lbs.	605 lbs.
Overall Width	61.9"	68.6"
Overall Height	20.8"	20.8"
Overall Length (Bucket Lip or Bottom of Bucket)	43.6"	43.6"
Tine Spacing	3"	3"
Number of Tines	17	19

PART NUMBER	DESCRIPTION	ATTACHMENT	SLP IN US \$
(5600, 5610) 7185941	62" ROCK BUCKET.....		\$1,520.00
(5600, 5610) 7185943	68" ROCK BUCKET.....		\$1,589.00

DESTINATION CHARGE/FUEL SURCHARGE
 Refer to BobQuote or BobcatNET>>Other Resources>>Pricing Homepage for current Destination and Fuel Charges.



QUICK SPECS

Operating Weight (empty):	325 lbs.
Height:	44.7"
Width:	48.5"
Length:	78.5"
Hopper Capacity:	13.5 cu. ft.
Spreading Pattern:	5 to 40 ft.
Speed Control:	Variable Speed Control Dial
Spinner Wheel:	12"

PART NUMBER	DESCRIPTION	ATTACHMENT	SLP IN US \$
-------------	-------------	------------	--------------

(5600)
7101567 **SAND/SALT SPREADER**..... **\$5,031.00**
 (Includes controller, wire harness, vibrator and all necessary mounting hardware)

PART NUMBER	DESCRIPTION	DEALER INSTALLED ACCESSORIES – ORDER FROM PARTS
-------------	-------------	---

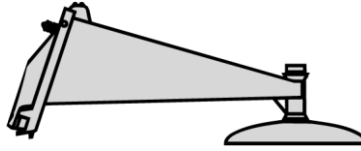
For current Dealer Installed Accessories pricing, reference BobQuote or Dealer Parts Department.

7164478 **REAR SPREADER LIGHT KIT**PARTS \$ ____
 (Includes two taillight assemblies that mount to spreader)
 (Estimated install time 1 hour)

DESTINATION CHARGE/FUEL SURCHARGE
Refer to BobQuote or BobcatNET>>Other Resources>>Pricing Homepage for current Destination and Fuel Charges.

ATTACHMENT	ASSEMBLY REQUIRED	INSTALLATION TIME (HOURS)
------------	-------------------	---------------------------

Sand/Salt Spreader Install Spreader, Control Kit and Harness **4.0**
 Rear Spreader Light.....Mount taillight assemblies..... **1.0**



QUICK SPECS

Operating Weight:	172 lbs.
Height:	19"
Width:	45"
Length:	55"
Disk Diameter:	22"

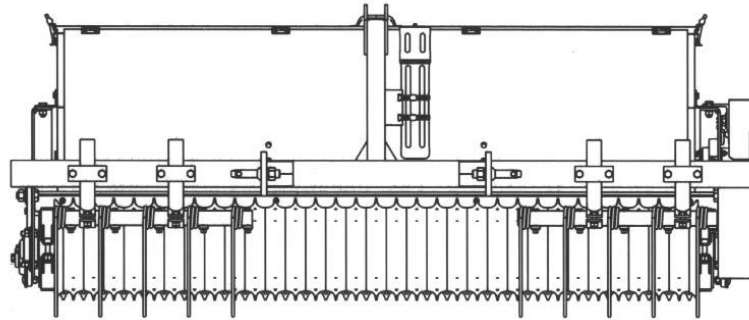
PART NUMBER	DESCRIPTION	ATTACHMENT	SLP IN US \$
-------------	-------------	------------	--------------

(5600, 5610)		
6675211	SCRAPER	\$1,218.00

DESTINATION CHARGE/FUEL SURCHARGE
 Refer to BobQuote or BobcatNET>>Other Resources>>Pricing Homepage for current Destination and Fuel Charges.

ATTACHMENT	ASSEMBLY REQUIRED	INSTALLATION TIME (HOURS)
------------	-------------------	---------------------------

Scraper.....	None.....	0.0
--------------	-----------	-----



QUICK SPECS

Weight (empty):	1,300 lbs.
Weight (full):	1,425 lbs.
Height:	44.0"
Overall Width:	88.0"
Working Width:	72.0"
Length:	43.0"
Hopper Capacity:	4.0 bushels

PART NUMBER	ATTACHMENT DESCRIPTION	SLP IN US \$
-------------	------------------------	--------------

(5600, 5610)

7167712	SEEDER, 72", 3PT MOUNTING.....	\$7,238.00
----------------	---------------------------------------	-------------------

(Must also order Bob-Tach adapter if used on front of Work Machine equipped with a Bob-Tach)

PART NUMBER	FACTORY INSTALLED OPTIONS DESCRIPTION	SLP IN US \$
-------------	---------------------------------------	--------------

7167758	BOB-TACH ADAPTER (Allows Seeder to mount on Bob-Tach equipped machines)	\$717.00
----------------	---	-----------------

PART NUMBER	DEALER INSTALLED ACCESSORIES – ORDER FROM SALES DESCRIPTION	SLP IN US \$
-------------	---	--------------

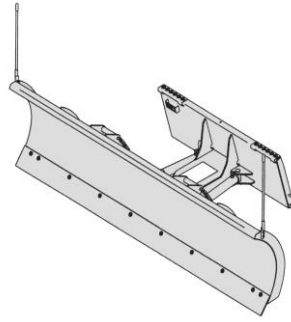
7167759	BOB-TACH ADAPTER (Allows Seeder to mount on Bob-Tach equipped machines)	\$661.00
----------------	---	-----------------

DESTINATION CHARGE/FUEL SURCHARGE

Refer to BobQuote or BobcatNET>>Other Resources>>Pricing Homepage for current Destination and Fuel Charges.

ATTACHMENT	ASSEMBLY REQUIRED	INSTALLATION TIME (HOURS)
------------	-------------------	---------------------------

Seeder.....	None.....	0.0
-------------	-----------	-----



QUICK SPECS

	<u>72"</u>	<u>84"</u>	<u>96"</u>	<u>86" HD</u>	<u>96" HD</u>
Operating Weight:	590 lbs.	620 lbs.	660 lbs.	809 lbs.	867 lbs.
Width:	72"	84"	96"	86"	96"
Height:	28"	28"	28"	28.5"	28.5"
Working Width (Fully Angled):	63"	73"	83"	75"	83"
Steel Cutting Edge:	.375" x 6"	.375" x 6"	.375" x 6"	.5" x 6"	.5" x 6"
Cylinders:	2	2	2	1	1
Trip Springs:	4	4	4	4	4
Optional Rubber Cutting Edge:	1" x 6"	1" x 6"	1" x 6"	1" x 6"	1" x 6"

PART NUMBER	ATTACHMENT DESCRIPTION	SLP IN US \$
-------------	------------------------	--------------

(5600, 5610) 6905156	72" SNOW BLADE (WITH HYDRAULIC ANGLE)	\$2,412.00
(5600, 5610) 6716836	84" SNOW BLADE (WITH HYDRAULIC ANGLE)	\$2,574.00
(5600, 5610) 6716838	96" SNOW BLADE (WITH HYDRAULIC ANGLE)	\$2,790.00
(5600, 5610) 7207861	86" SNOW BLADE – HEAVY DUTY (WITH HYDRAULIC ANGLE).....	\$4,001.00
(5600, 5610) 7207862	96" SNOW BLADE – HEAVY DUTY (WITH HYDRAULIC ANGLE).....	\$4,239.00

PART NUMBER	DEALER INSTALLED ACCESSORIES – ORDER FROM SALES DESCRIPTION	SLP IN US \$
-------------	---	--------------

6716834	END WING KIT	\$415.00
	(Converts 84" & 96" Snow Blades into Snow Pushers) (Does not fit 72" Snow Blade) (Ship Weight 95 lbs.)	

PART NUMBER	DEALER INSTALLED ACCESSORIES – ORDER FROM PARTS	DESCRIPTION
-------------	---	-------------

For current Dealer Installed Accessories pricing, reference BobQuote or Dealer Parts Department.

6905158	RUBBER WEAR EDGE KIT, 72"PARTS (Ship Weight 25 lbs.)	\$ _____
6905400	RUBBER WEAR EDGE KIT, 84"PARTS (Ship Weight 30 lbs.)	\$ _____
6905401	RUBBER WEAR EDGE KIT, 96"PARTS (Ship Weight 35 lbs.)	\$ _____

Note: Certain applications may cause premature wear of the Rubber Wear Edge.

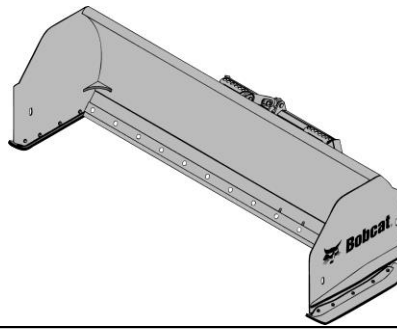
6905155	REPLACEMENT CUTTING EDGE, 72" ♦PARTS (Ship Weight 44 lbs.)	\$ _____
6673634	REPLACEMENT CUTTING EDGE, 84" ♦PARTS (Ship Weight 51 lbs.)	\$ _____
6673606	REPLACEMENT CUTTING EDGE, 96" ♦PARTS (Ship Weight 59 lbs.)	\$ _____

♦ Additional hardware for replacement cutting edges is needed.

DESTINATION CHARGE/FUEL SURCHARGE
Refer to BobQuote or BobcatNET>>Other Resources>>Pricing Homepage for current Destination and Fuel Charges.

ATTACHMENT	ASSEMBLY REQUIRED	INSTALLATION TIME (HOURS)
------------	-------------------	---------------------------

Snow Blade	Adjust shoes & install blade edge indicators	0.25
End Wing Kit	Install wings	0.25
Replacement Cutting Edge Kits	Bolt on edge.....	0.50



QUICK SPECS

	<u>8 Foot</u>
Operating Weight:	1122 lbs.
Overall Width:	102"
Working Width:	94.6"
Length:	56.2"
Height:	37.8"
Cutting Edge:	1.5" x 8" Rubber
Skid Shoes:	.75" x 5" AR400

	<u>Float</u>
Vertical:	2.3"
Tilt:	12 degrees
Oscillation:	+/- 4.5 degrees

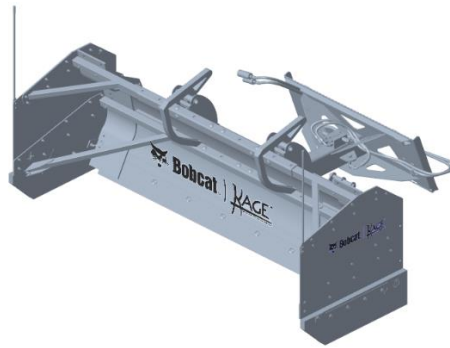
PART NUMBER	ATTACHMENT DESCRIPTION	SLP IN US \$
-------------	------------------------	--------------

(5600, 5610)	7113767 SNOW PUSHER, 8'	\$3,334.00
--------------	-------------------------------	------------

DESTINATION CHARGE/FUEL SURCHARGE
 Refer to BobQuote or BobcatNET>>Other Resources>>Pricing Homepage for current Destination and Fuel Charges.

ATTACHMENT	ASSEMBLY REQUIRED	INSTALLATION TIME (HOURS)
------------	-------------------	---------------------------

Snow Pusher	None.....	0.0
-------------------	-----------	-----



QUICK SPECS

72"

Operating Weight 1272 lbs.
 Overall Width 80"
 Working Width 72"
 Length (includes interface) 70.7"
 Height 40"
 Cutting Edge (High Carbon Steel).... 5/8" x 6"
 Skid Shoes (Poly)36" x 9.75" x 1.5"
 Number of Trip Springs 4
 Color Orange

Float

Tilt 35 degrees
 Oscillation +/- 6 degrees

PART NUMBER	ATTACHMENT DESCRIPTION	SLP IN US \$
-------------	------------------------	--------------

(5600, 5610)	7406869 72" SNOW PUSHER PRO	\$7,425.00
---------------------	--	-------------------

PART NUMBER	DEALER INSTALLED ACCESSORIES – ORDER FROM PARTS DESCRIPTION	SLP IN US \$
-------------	---	--------------

7396909	72" STEEL CUTTING EDGE (Includes hardware)	\$ ____
7396913	72" POLY CUTTING EDGE (Includes hardware)	\$ ____
7396917	CURB GUARD KIT..... (Includes hardware)	\$ ____
7396918	BACKDRAG KIT (Includes hardware)	\$ ____
7396919	POLY SKID KIT (Includes hardware)	\$ ____

DESTINATION CHARGE/FUEL SURCHARGE

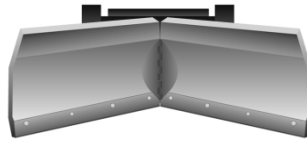
Refer to BobQuote or BobcatNET>>Other Resources>>Pricing Homepage for current Destination and Fuel Charges.

ATTACHMENT	ASSEMBLY REQUIRED	INSTALLATION TIME (HOURS)
------------	-------------------	---------------------------

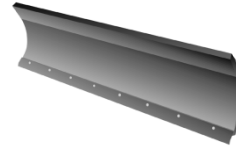
Snow Pusher	None.....
-------------------	-----------



Blade in "V" Configuration



Blade in "Scoop" Configuration



Blade in "Angled" Configuration

QUICK SPECS

	<u>60"</u>	<u>72"</u>	<u>84"</u>	<u>96"</u>
Operating Weight:	660 lbs.	738 lbs.	779 lbs.	824 lbs.
Operating Weight with Oscillating kit:	N/A	972 lbs.	1013 lbs.	1058 lbs.
Width V-Configuration:	54"	64.5"	75"	85.5"
Width Scoop-Configuration:	53"	63"	74"	84"
Width 30° Angle-Configuration:	54"	64"	75"	85"
Width Straight-Configuration:	62"	74"	86"	98"
Height with Blade Extension:	28.5"	32.8"	32.8"	32.8"
Length:	40"	47.3"	47.3"	47.3"
Oscillation (with flotation kit):	N/A	+/- 10	+/- 10	+/- 10

PART NUMBER	ATTACHMENT DESCRIPTION	SLP IN US \$
-------------	------------------------	--------------

(5600, 5610) 7104861	60" SNOW V-BLADE (Work Machine must be equipped with a 7-Pin Attachment Control Kit) (Blade is equipped with fingertip 7-Pin Control) (Adjustable blade width from 53-60 inches)	\$4,254.00
(5600, 5610) 6958576	72" SNOW V-BLADE (Work Machine must be equipped with a 7-Pin Attachment Control Kit) (A 14-Pin T-Harness Kit is required when used on work machine equipped with a 14-Pin Attachment Control Kit – See Page 1)	\$4,471.00
(5600, 5610) 6958577	84" SNOW V-BLADE (Work Machine must be equipped with a 7-Pin Attachment Control Kit) (A 14-Pin T-Harness Kit is required when used on work machine equipped with a 14-Pin Attachment Control Kit – See Page 1)	\$4,686.00
(5600, 5610) 6958578	96" SNOW V-BLADE (Work Machine must be equipped with a 7-Pin Attachment Control Kit) (A 14-Pin T-Harness Kit is required when used on work machine equipped with a 14-Pin Attachment Control Kit – See Page 1)	\$4,901.00

DEALER INSTALLED ACCESSORIES – ORDER FROM PARTS	
PART NUMBER	DESCRIPTION

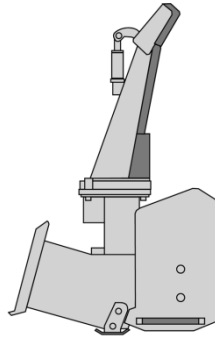
For current Dealer Installed Accessories pricing, reference BobQuote or Dealer Parts Department.

6958664	60" RUBBER CUTTING EDGE KIT	PARTS	\$ _____
6958665	72" RUBBER CUTTING EDGE KIT	PARTS	\$ _____
6958666	84" RUBBER CUTTING EDGE KIT	PARTS	\$ _____
6958667	96" RUBBER CUTTING EDGE KIT	PARTS	\$ _____

DESTINATION CHARGE/FUEL SURCHARGE
Refer to BobQuote or BobcatNET>>Other Resources>>Pricing Homepage for current Destination and Fuel Charges.

ATTACHMENT	ASSEMBLY REQUIRED	INSTALLATION TIME (HOURS)
------------	-------------------	---------------------------

Snow V-Blade.....	None.....	0.0
Attachment Control Kit		See Page 1



QUICK SPECS

	<u><i>SB200 x 60"</i></u>	<u><i>SB200 x 66"</i></u>	<u><i>SB200 x 72"</i></u>	<u><i>SB240 x 72"</i></u>
Discharge Chute:	Hydraulic, 270°	Hydraulic, 270°	Hydraulic, 270°	Hydraulic, 270°
Chute Deflector:	Hydraulic	Hydraulic	Hydraulic	Hydraulic
Throw Distance:	Up to 40 ft.	Up to 40 ft.	Up to 40 ft.	Up to 40 ft.
Flow Required:	16.5 - 31 gpm	16.5 - 31 gpm	16.5 - 31 gpm	25 - 31 gpm
Fan Diameter:	20 in.	20 in.	20 in.	24 in.
Auger Diameter:	14 in.	14 in.	14 in.	18 in.
Cutting Width:	60 in.	66 in.	72 in.	72 in.
Overall Width:	62.5 in.	68.5 in.	74.5 in.	74.5 in.
Intake Height:	25 in.	25 in.	25 in.	34.5 in.
Operating Weight:	785 lbs.	810 lbs.	835 lbs.	1010 lbs.

HYDRAULIC MOTOR PACKAGES HYDRAULIC FLOW RANGE

6.2 Hydraulic Motor Package	16.5–21 gpm
8.0 Hydraulic Motor Package	21 – 26 gpm
9.6 Hydraulic Motor Package	25 – 31 gpm

SB200 SNOWBLOWER		
PART NUMBER	DESCRIPTION	SLP IN US \$

Preferred Hydraulic Motor Package (BOLD)

*Must order a hydraulic motor package with the SB200 & SB240 Snowblowers
 Work Machine must be equipped with a 7-pin Attachment Control Kit.*

(5600, 5600H, 5610, 5610H)

M7001	SB200 x 60" Snowblower	\$4,833.00
M7001-R01-C02	6.2 Hydraulic Motor Package (5600, 5610)	\$1,159.00
M7001-R01-C04	9.6 Hydraulic Motor Package (5600H, 5610H)	\$1,295.00

(5600, 5600H, 5610, 5610H)

M7002	SB200 x 66" Snowblower	\$4,984.00
M7002-R01-C02	6.2 Hydraulic Motor Package (5600, 5610)	\$1,159.00
M7002-R01-C04	9.6 Hydraulic Motor Package (5600H, 5610H)	\$1,295.00

(5600, 5600H, 5610, 5610H)

M7003	SB200 x 72" Snowblower	\$5,184.00
M7003-R01-C02	6.2 Hydraulic Motor Package (5600, 5610)	\$1,159.00
M7003-R01-C04	9.6 Hydraulic Motor Package (5600H, 5610H)	\$1,295.00

SB240 SNOWBLOWER		
PART NUMBER	DESCRIPTION	SLP IN US \$

Preferred Hydraulic Motor Package (BOLD)

*Must order a hydraulic motor package with the SB200 & SB240 Snowblowers
 Work Machine must be equipped with a 7-pin Attachment Control Kit.*

(5600H, 5610H)

M7005	SB240 x 72" Snowblower	\$6,666.00
M7005-R01-C04	9.6 Hydraulic Motor Package (5600H, 5610H)	\$1,295.00

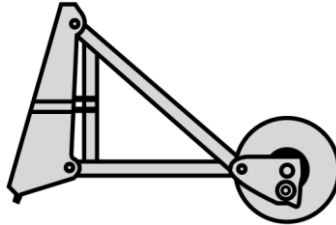
DEALER INSTALLED ACCESSORIES – ORDER FROM SALES		
PART NUMBER	DESCRIPTION	SLP IN US \$

6958978	TRUCK LOADING CHUTE (For SB240 Snowblowers) (For use with high flow work machine only) (Includes deflector control, support mount and hoses) (Ship weight 170 lbs., chute weight 145 lbs.) (Estimated installation time 2.5 hours)	\$1,671.00
---------	--	-------------------

DESTINATION CHARGE/FUEL SURCHARGE

Refer to BobQuote or BobcatNET>>Other Resources>>Pricing Homepage for current Destination and Fuel Charges.

ATTACHMENT	ASSEMBLY REQUIRED	INSTALLATION TIME (HOURS)
Snowblower	Install Chute	0.5
Truck Loading Chute.....	Remove standard chute, install truck loading chute.....	2.5
Attachment Control Kit		See Page 1



QUICK SPECS

Operating Weight:	596 lbs.
Length:	49.1"
Width (maximum overall):	73.0"
Height:	31.0"
Sod Roll Widths:	24.0" – 48.0"
	2.0" X 1.0" X 18.5"
Arm Cylinders (2):	Stroke
Relief Value Setting:	400 psi

PART NUMBER	DESCRIPTION	ATTACHMENT	SLP IN US \$
-------------	-------------	------------	--------------

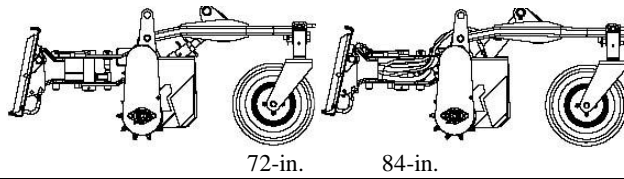
(5600, 5610)

6906783 SOD LAYER **\$4,007.00**
 (Not approved for A-Series or B-Series) (Approved for use with 5600 s/n A00211001 & above, 5600 s/n A00311001 & above, 5600 s/n A0W111001 & above, 5600 s/n A94Y11001 & above, 5610 A7Y711001 & above and 5610 APFB11001 & above)

DESTINATION CHARGE/FUEL SURCHARGE
 Refer to BobQuote or BobcatNET>>Other Resources>>Pricing Homepage for current Destination and Fuel Charges.

ATTACHMENT	ASSEMBLY REQUIRED	INSTALLATION TIME (HOURS)
------------	-------------------	---------------------------

Sod Layer.....None..... -



QUICK SPECS

	<u>72-in Man</u>	<u>72-in Hyd.</u>	<u>72-in High Fl</u>
Overall Length:	67.9"	67.9"	67.9"
Overall Width:	86.2"	86.2"	86.2"
Working Width – Fully Angled:	65.0"	65.0"	65.0"
Degree of Angle (Left or Right):	25 deg.	25 deg.	25 deg.
Number of Teeth:	121	121	121
Operating Weight:	1110 lbs.	1110 lbs.	1110 lbs.
Hydraulic Requirements:	13-37 gpm	13-37 gpm	25-37 gpm
Tires:	Pneumatic	Foam-Filled	Foam-filled
Float or Lock Position:	Both	Both	Both
Depth Adjustment:	Manual	Hydraulic	Hydraulic
Angle Adjustment:	Manual	Hydraulic	Hydraulic

	<u>84-in Hyd.</u>	<u>84-in High Fl</u>
Overall Length:	67.9"	67.9"
Overall Width:	98.2"	98.2"
Working Width – Fully Angled:	76.0"	76.0"
Degree of Angle (Left or Right):	25 deg.	25 deg.
Number of Teeth:	141	141
Operating Weight:	1268 lbs.	1268 lbs.
Hydraulic Requirements:	18-37 gpm	30-37 gpm
Tires:	Foam-filled	Foam-filled
Float or Lock Position:	Both	Both
Depth Adjustment:	Hydraulic	Hydraulic
Angle Adjustment:	Hydraulic	Hydraulic

PART NUMBER	ATTACHMENT DESCRIPTION	SLP IN US \$
----------------	---------------------------	--------------

(5600, 5600H, 5610, 5610H)

6906513	72" SOIL CONDITIONER, MANUAL ANGLE.....	\$8,873.00
7135945	72" SOIL CONDITIONER, HYDRAULIC ANGLE AND DEPTH..... (Loader must be equipped with an Attachment Control Kit)	\$9,642.00
7135946	84" SOIL CONDITIONER, HYDRAULIC ANGLE (Loader must be equipped with an Attachment Control Kit)	\$10,196.00

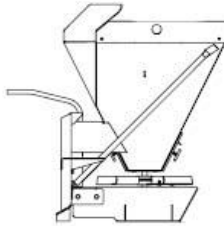
(5600H, 5610H)

7135944	72" SOIL CONDITIONER, HIGH FLOW HYDRAULIC ANGLE AND DEPTH ... (Loader must be equipped with an Attachment Control Kit)	\$9,975.00
7135947	84" SOIL CONDITIONER, HIGH FLOW HYDRAULIC ANGLE AND DEPTH ... (Loader must be equipped with an Attachment Control Kit)	\$10,640.00

DESTINATION CHARGE/FUEL SURCHARGE
Refer to BobQuote or BobcatNET>>Other Resources>>Pricing Homepage for current Destination and Fuel Charges.

ATTACHMENT	ASSEMBLY REQUIRED	INSTALLATION TIME (HOURS)
------------	-------------------	------------------------------

Soil Conditioner	None.....	-
Soil Conditioner – hydraulic angle.....	None.....	-
Attachment Control Kit		See Page



HS8 SPREADER

QUICK SPECS

<i><u>HS8 Spreader</u></i>	
Operating Weight with Loader Mount (empty):	487 lbs.
Height:	40.9"
Width:	54.4"
Hopper Capacity (Top of Hopper):	9.6 Cu. Ft.
Hopper Capacity (Bottom of Grate):	7.6 Cu. Ft.
Spreading Pattern	18.4 @ 1500 RPM
Spreading Pattern	22.6 @ 2000 RPM
Spreading Pattern	28.4 @ 2500 RPM
Speed Control (Motor)	Hydraulic
Speed Control (Spinner Wheel)	18" diameter
Maximum Hydraulic Flow	22 GPM

PART NUMBER	DESCRIPTION	ATTACHMENT	SLP IN US \$
-------------	-------------	------------	--------------

(5600, 5610)
 7157284 **HS8 SPREADER**..... **\$3,700.00**

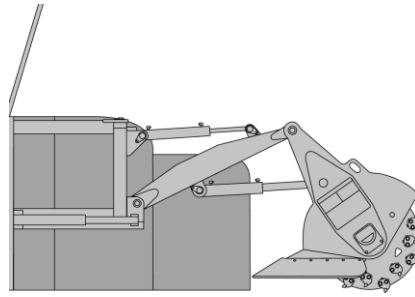
PART NUMBER	DESCRIPTION	DEALER INSTALLED ACCESSORIES – ORDER FROM PARTS	PARTS
-------------	-------------	---	-------

7157412 **SIDEWALK KIT – HS8****\$**_____ **PARTS**
 (Limits spread pattern to the width of a 29" or 37" dependent mounting location used)

DESTINATION CHARGE/FUEL SURCHARGE
Refer to BobQuote or BobcatNET>>Other Resources>>Pricing Homepage for current Destination and Fuel Charges.

ATTACHMENT	ASSEMBLY REQUIRED	INSTALLATION TIME (HOURS)
------------	-------------------	---------------------------

SpreaderNone..... **0.0**



SG60 Stump Grinder

QUICK SPECS

<u>SG60</u>	
Operating Weight:	980 lbs.
Flow Range:	17-32 gpm
Overall Length:	45"
Overall Transport Width:	66"
Overall Height:	59.4"
Wheel Diameter:	27"
Number of Teeth:	32
Grinder Reach @ Ground Level:	74"
Maximum Cutting Height:	32"
Maximum Cutting Depth:	15"
Maximum Cutting Arc:	80°

PART NUMBER	DESCRIPTION	ATTACHMENT	SLP IN US \$
-------------	-------------	------------	--------------

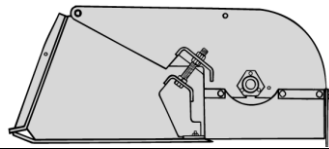
(5600, 5600H, 5610, 5610H)

6808034	SG60 STUMP GRINDER		\$9,479.00
	(Work Machine must be equipped with a 7-Pin Attachment Control Kit) (A 14-Pin T-Harness Kit is required when used on work machine equipped with a 14-Pin Attachment Control Kit – See Page 1)		

DESTINATION CHARGE/FUEL SURCHARGE
 Refer to BobQuote or BobcatNET>>Other Resources>>Pricing Homepage for current Destination and Fuel Charges.

ATTACHMENT	ASSEMBLY REQUIRED	INSTALLATION TIME (HOURS)
------------	-------------------	---------------------------

Stump Grinder	None.....	-
Attachment Control Kit		See Page 1



QUICK SPECS

	<u>54"</u>	<u>60"</u>
Operating Weight:	650 lbs.	758 lbs.
Sweep Width:	54"	60"
Overall Attachment Width:	58.3"	66.2"
Bucket Capacity:	8.2 cu. ft.	12.0 cu. ft.
Broom Diameter:	21.4"	21.4"
Bristle Sections (Included):	26	30
Bristle Material:	Replaceable Polypropylene sections (steel sections available)	
Cutting Edge (Repl. Steel):	5/8" x 6"	5/8" x 6"
Broom RPM @ 15 GPM:	185	215
Travel:	Forward/Reverse	Forward/Reverse

PART NUMBER	ATTACHMENT DESCRIPTION	SLP IN US \$
-------------	------------------------	--------------

(5600, 5610)
7138870 54" SWEEPER..... \$3,770.00
 (Not approved for A-Series or B-Series) (Approved for use with 5600 s/n A00211001 & above, 5600 s/n A00311001 & above, 5600 s/n A0W111001 & above, 5600 s/n A94Y11001 & above, 5610 A7Y711001 & above and 5610 APFB11001 & above)

(5600, 5610)
6707144 60" SWEEPER..... \$4,093.00
 (Not approved for A-Series or B-Series) (Approved for use with 5600 s/n A00211001 & above, 5600 s/n A00311001 & above, 5600 s/n A0W111001 & above, 5600 s/n A94Y11001 & above, 5610 A7Y711001 & above and 5610 APFB11001 & above)

PART NUMBER	DEALER INSTALLED ACCESSORIES – ORDER FROM SALES DESCRIPTION	SLP IN US \$
-------------	---	--------------

6714219 GUTTER BRUSH \$1,444.00
 (Add-on to the 60" Sweepers)
 (Includes hoses, couplers, steel bristles, mounting frame, hardware and control valve)
 (Estimated install time 2 hours) (Ship Weight 145 lbs.)

PART NUMBER	DEALER INSTALLED ACCESSORIES – ORDER FROM PARTS DESCRIPTION
-------------	---

For current Dealer Installed Accessories pricing, reference BobQuote or Dealer Parts Department.

6805366 BOLT-ON CUTTING EDGE, 54"PARTS \$ _____
 (Hardware not included) (Estimated install time 1.5 hours)
6805367 BOLT-ON CUTTING EDGE, 60"PARTS \$ _____
 (Hardware not included) (Estimated install time 1.5 hours)

DESTINATION CHARGE/FUEL SURCHARGE Refer to BobQuote or BobcatNET>>Other Resources>>Pricing Homepage for current Destination and Fuel Charges.

ATTACHMENT	ASSEMBLY REQUIRED	INSTALLATION TIME (HOURS)
Sweeper, 54"-60"	Adjust side bolts (2) for 3/4" clearance (Shipped with no clearance)	0.25
Gutter Brush	Install.....	2.0



Category I and II Hitch

QUICK SPECS

Operating Weight:	272 lbs.
Mounting Frame:	Mounts to most standard category "I and II" 3-Point Hitch Implements that meet the ASAE standard for quick hitch.
Overall Width:	46"

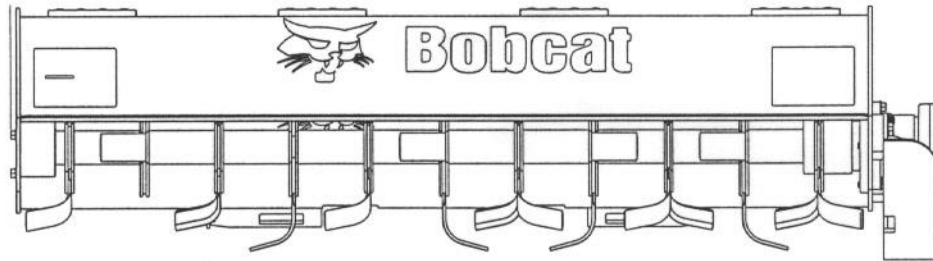
PART NUMBER	DESCRIPTION	ATTACHMENT	SLP IN US \$
-------------	-------------	------------	--------------

(5600, 5610) 7110394	THREE-POINT HITCH ADAPTER, CATEGORY "I AND II"		\$991.00
	(Quick-tach connection to Three-Point Hitch implements to convert to Bob-Tach™) (Includes 2" receiver for moving trailers)		

DESTINATION CHARGE/FUEL SURCHARGE
 Refer to BobQuote or BobcatNET>>Other Resources>>Pricing Homepage for current Destination and Fuel Charges.

ATTACHMENT	ASSEMBLY REQUIRED	INSTALLATION TIME (HOURS)
------------	-------------------	---------------------------

Three-Point hitch.....	None.....	-
------------------------	-----------	---



QUICK SPECS

	<u>62"</u>	<u>76"</u>
Operating Weight:	660 lbs.	749lbs.
Working Width:	62.1"	75.4"
Overall Width:	70.8"	84.4"
Tines:	36	44
Working Depth:	6" maximum	6" maximum
Tine Rotation:	Bi-rotational	Bi-rotational
Drive:	Direct Drive	Direct Drive
Travel Direction:	Forward/Reverse	Forward/Reverse
Flow Range:	17-340 GPM	17-40 GPM
Skid Shoes:	Optional	Optional

PART NUMBER	DESCRIPTION	ATTACHMENT	SLP IN US \$
(5600, 5600H, 5610, 5610H)			
7104371	62" ROTARY TILLER.....		\$5,047.00
(5600*, 5600H, 5610, 5610H)			
7102125	76" ROTARY TILLER.....		\$5,956.00
	(*Not approved on A-Series 5600, s/n prefix 5205)		

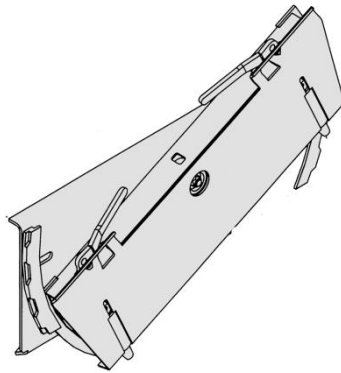
DEALER INSTALLED ACCESSORIES – ORDER FROM PARTS

PART NUMBER	DESCRIPTION	PARTS	\$
<i>For current Dealer Installed Accessories pricing, reference BobQuote or Dealer Parts Department.</i>			
7280548	TILLER SKID SHOES FOR ALL MODELS.....		\$_____
	(0.5 hour assembly time)		

DESTINATION CHARGE/FUEL SURCHARGE Refer to BobQuote or BobcatNET>>Other Resources>>Pricing Homepage for current Destination and Fuel Charges.

	ASSEMBLY REQUIRED	INSTALLATION
ATTACHMENT		TIME (HOURS)

Tiller.....None.....	-
Tiller Skid Shoe.....Bolt onto Tiller	0.5



QUICK SPECS

Operating Weight:	320 lbs.
Height:	20.4"
Width:	48"
Length:	4.3"
Oscillation:	± 15°
Cylinders:	1

PART NUMBER	ATTACHMENT DESCRIPTION	SLP IN US \$
-------------	------------------------	--------------

(5600, 5610)

7101600	TILT-TATCH (Interface between the work machine's Bob-Tach and non-hydraulic attachments)	\$2,510.00
----------------	--	-------------------

- Note:** Use of Tilt-Tatch will reduce Operating Capacity and Tip Load by approximately 20%.
 See the Tilt-Tatch Operator's Manual for New Load Ratings.
- Note:** Tilt-Tatch can be used with non-hydraulic attachments only.

PART NUMBER	DEALER INSTALLED ACCESSORIES – ORDER FROM PARTS DESCRIPTION
-------------	---

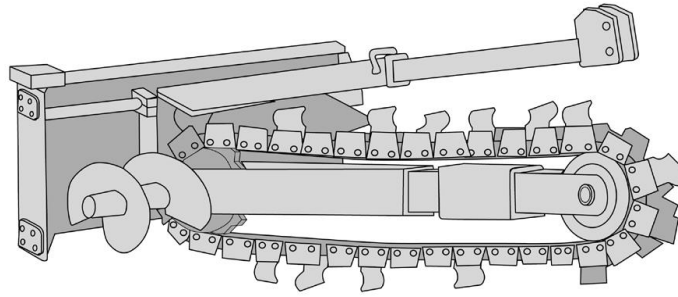
For current Dealer Installed Accessories pricing, reference BobQuote or Dealer Parts Department.

7101857	TILT-TATCH REBUILD KITPARTS (The bolt-on rebuild kit allows customers with high usage or excessive wear applications to replace high wear items without the use of a cutting torch and welder.)	\$ _____
----------------	---	----------

DESTINATION CHARGE/FUEL SURCHARGE
Refer to BobQuote or BobcatNET>>Other Resources>>Pricing Homepage for current Destination and Fuel Charges.

ATTACHMENT	ASSEMBLY REQUIRED	INSTALLATION TIME (HOURS)
------------	-------------------	---------------------------

Tilt-Tatch.....None.....	-
--------------------------	---



QUICK SPECS

Flow Range:	11-18 gpm
Maximum Operating Pressure:	3300 psi
Frame Width (of standard equipment):	56"
Side Shift Travel:	23.1"
Auger Diameter:	12"
Dig Depth:	3'
Overall Length:	74"
Standard Boom Length:	52.5"
Trenching Widths Available:	4" to 8"

PART NUMBER	LT213 TRENCHER ATTACHMENT	SLP IN US \$
-------------	----------------------------------	--------------

(5600, 5610)

M7013	LT213 TRENCHER..... (Includes 3' depth, manual sideshift, trench cleaner) (Can only order one factory installed chain option per trencher model)	\$3,996.00
--------------	---	-------------------

LT213 Chain Configuration Options (Factory Installed)

Chains are 1.654" Double Standard (DS) Anti-Back Flex (ABF)

M7013-R01-C02	3' x 4" CUP TEETH, SINGLE STANDARD PATTERN.....	\$474.00
M7013-R01-C04	3' x 6" CUP TEETH, SINGLE STANDARD PATTERN.....	\$506.00
M7013-R01-C01	3' x 4" CUP TEETH, DOUBLE STANDARD PATTERN.....	\$540.00
M7013-R01-C03	3' x 4" CUP & CARBIDE TEETH, DOUBLE STANDARD PATTERN ..	\$1,105.00
M7013-R01-C06	3' x 4" SHARK/CUP TEETH IN DOUBLE STANDARD PATTERN	\$889.00
M7013-R01-C07	3' x 6" SHARK/CUP TEETH IN DOUBLE STANDARD PATTERN	\$1034.00

PART NUMBER	DEALER INSTALLED ACCESSORIES – ORDER FROM SALES	SLP IN US \$
-------------	---	--------------

LT213 Chain Configuration Accessories (Replacement Chain - Dealer Installed)

Chains are 1.654" Double Standard (DS) Anti-Back Flex (ABF)

6959317	3' X 4" CUP TEETH, SINGLE STANDARD PATTERN (Ship Weight 100 lbs.)	\$545.00
6959335	3' X 6" CUP TEETH, SINGLE STANDARD PATTERN (Ship Weight 113 lbs.)	\$576.00
6959321	3' X 4" CUP TEETH, DOUBLE STANDARD PATTERN (Ship Weight 115 lbs.)	\$610.00
6959319	3' X 4" CUP & CARBIDE TEETH, DOUBLE STANDARD PATTERN..... (Ship Weight 115 lbs.)	\$1,185.00
7209864	3' X 4" SHARK/CUP TEETH, DOUBLE STANDARD PATTERN	\$798.00
7209865	3' X 6" SHARK/CUP TEETH, DOUBLE STANDARD PATTERN	\$932.00

PART NUMBER	DEALER INSTALLED ACCESSORIES – ORDER FROM PARTS
-------------	---

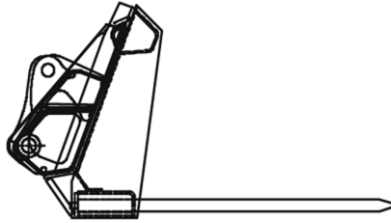
For current Dealer Installed Accessories pricing, reference BobQuote or Dealer Parts Department.

6705531	CARBIDE TOOTH KITPARTS (Ship Weight 16 lbs.)	\$ _____
6701918	CUP TOOTH KITPARTS (Ship Weight 13 lbs.)	\$ _____
6959303	DOUBLE STANDARD CHAINPARTS (No teeth attached) (Ship Weight 64 lbs.)	\$ _____
7110909	SPACER KIT, 6"PARTS (Used with cup teeth for 6" width)	\$ _____
7110910	SPACER KIT, 8"PARTS (Used with cup teeth for 8" width)	\$ _____
6806974	TRENCH CLEANER ADAPTER, 6"PARTS (Used with Trench Cleaner Kit) (Ship Weight 3 lbs.)	\$ _____
6806975	TRENCH CLEANER ADAPTER, 8"PARTS (Used with Trench Cleaner Kit) (Ship Weight 4 lbs.)	\$ _____

DESTINATION CHARGE/FUEL SURCHARGE
Refer to BobQuote or BobcatNET>>Other Resources>>Pricing Homepage for current Destination and Fuel Charges.

ATTACHMENT	ASSEMBLY REQUIRED	INSTALLATION TIME (HOURS)
------------	-------------------	---------------------------

TrencherNone..... -



QUICK SPECS

	<u>60"</u>	<u>66"</u>	<u>72"</u>
Operating Weight:	304 lbs.	330 lbs.	356 lbs.
Number of Teeth Shipped:	8	9	10
Max Number of Teeth:	15	17	19

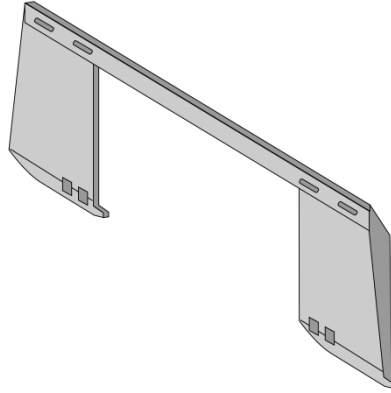
PART NUMBER	DESCRIPTION	ATTACHMENT	SLP IN US \$
-------------	-------------	------------	--------------

(5600, 5610)	6725178	60" UTILITY FORK, WITH 8 TEETH (Use with Farm/Utility grapple P/N 7176977)	\$1,114.00
(5600, 5610)	6725179	66" UTILITY FORK, WITH 9 TEETH (Use with Farm/Utility grapple P/N 7176977)	\$1,304.00
(5600, 5610)	6725180	72" UTILITY FORK, WITH 10 TEETH (Use with Farm/Utility grapple P/N 7176977)	\$1,373.00

DESTINATION CHARGE/FUEL SURCHARGE
 Refer to BobQuote or BobcatNET>>Other Resources>>Pricing Homepage for current Destination and Fuel Charges.

ATTACHMENT	ASSEMBLY REQUIRED	INSTALLATION TIME (HOURS)
------------	-------------------	---------------------------

Utility Forks	None.....	-
---------------------	-----------	---



QUICK SPECS

Ship Weight: 46 lbs.
 Overall Height: 19.0"

PART NUMBER	DESCRIPTION	ATTACHMENT	SLP IN US \$
-------------	-------------	------------	--------------

(5600, 5610)
6731114 **BOB –TACH UTILITY FRAME..... PARTS \$__**
 (To convert Attachments to Bob-Tach Mount, weld to flat surface)

DESTINATION CHARGE/FUEL SURCHARGE
 Refer to BobQuote or BobcatNET>>Other Resources>>Pricing Homepage for current Destination and Fuel Charges.

ATTACHMENT	ASSEMBLY REQUIRED	INSTALLATION TIME (HOURS)
------------	-------------------	---------------------------

Utility FrameNone..... -

****Bobcat is no longer selling sprayers. Dealers may purchase sprayers directly from Demco at:**

Jerry Sandbulte
 Ag Product Coordinator - Maurer
 L&G & Fertilizer Product Coordinator - Demco
 800-543-3626 – Ext 125 Demco888-274-6010 – Ext 811 Maurer